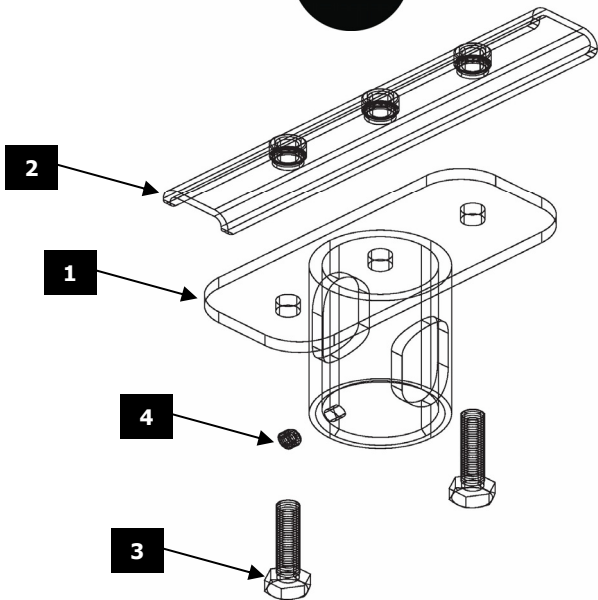


UN-A-B



| Part # | Description | Qty |
|--------|------------------------------|-----|
| 1 | MOUNT | 1 |
| 2 | MOUNT PLATE | 1 |
| 3 | HEX SCREW 3/8"-16UNC *1.25" | 2 |
| 4 | BRAKE SCREW 1/4"-20UNC*0.25" | 1 |